

# TTJL/X

## DIGITAL CONTROLLER

A new dawn for controlling slip ring motors



**TT Electric**

[www.t-telectric.com](http://www.t-telectric.com)

# TTJL/X Digital Slip Ring Motor Controller

For retrofit application on cranes, material handling, hoists, pumps, compressors & conveyors

The **TTJL/X range** of slip ring motor drives delivers precise digital functionality and helps you take control of the most demanding motor control applications.

- **State-of-the-art** digital control for AC slip ring motors
- Output power **45kW - 975kW**
- **2Q** (single direction) and **4Q** (fully regenerative) options available
- **3** frame sizes
- Optional input voltages available on two largest frames (4 & 5) - **'MV' 600VAC** or **'HV' 690VAC**
- Standard version **150% overload** for 25 seconds
- High duty version **250% overload** for 25 seconds
- Up to **500VAC** standard input
- **17** digital inputs / **8** analogue inputs
- **7** digital outputs / **4** analogue outputs
- **Full suite** of standard software
- **CE** approved

# The TTJL/X range Standard versions



## Cost Effective

Reduces need to replace expensive slip ring motors



## Robust & Proven Digital Solution

Based on highly successful TT/X digital controller



## Designed for Crane & Hoist Retrofit Applications

Digital control of AC motors



## Fast Delivery

Available from stock



TTJL/X 130 - 270



TTJL/X 370 - 780



TTJL/X 860 - 1680

## FIELD BUS SYSTEMS

ETHERNET

PROFIBUS

CANBUS

MODBUS

DEVICENET

+ MANY MORE

# TYPICAL RETROFIT APPLICATIONS

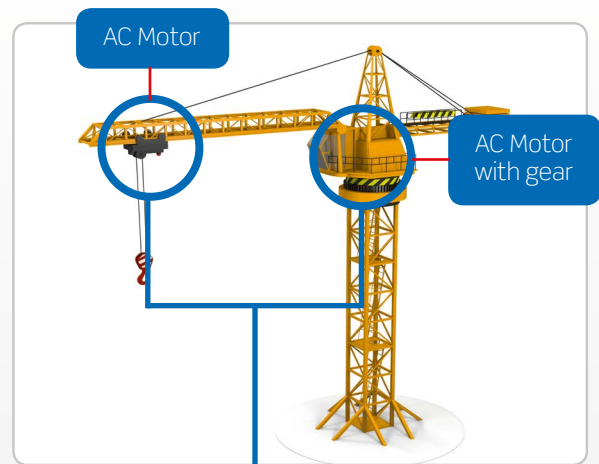
Wound rotor motors, or slip ring motors, are found in many applications such as cranes, material handling and hoists. Designed to provide high starting torque, slip ring motors use mechanically switched resistors to alter the torque-speed characteristics of the motor.

For end users wishing to improve control and functionality without replacing an expensive slip ring motor, the TTJL/X range of digital controllers offers a huge uplift in machine performance and is extremely cost effective.

## GANTRY CRANE



## TOWER CRANE



TTJL/X DIGITAL  
SLIP RING MOTOR  
CONTROLLER



EXISTING AC SLIP RING /  
WOUND ROTOR MOTOR,  
RESISTORS, FUSES ETC

# Other applications

For the TTJL/X  
Digital Slip Ring Motor  
Controller

MATERIAL HANDLING



HOISTS



PUMPS



COMPRESSORS

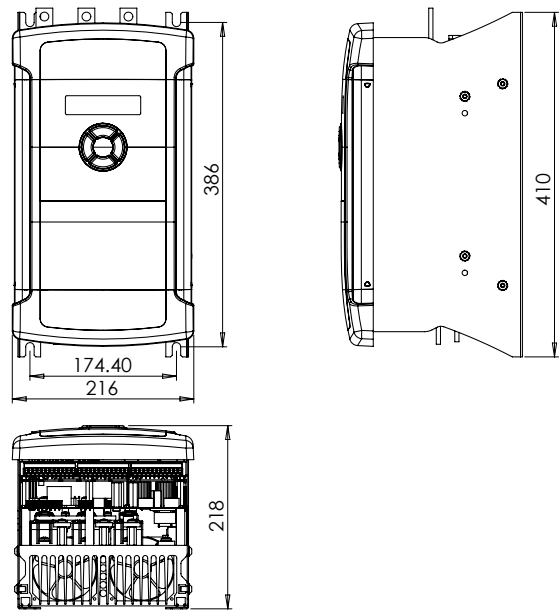


CONVEYORS

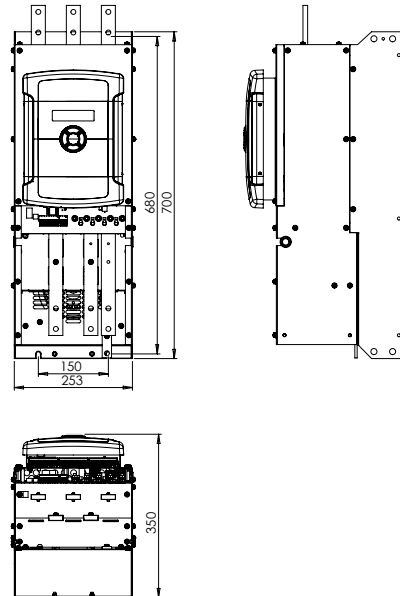


# FRAME DIMENSIONS

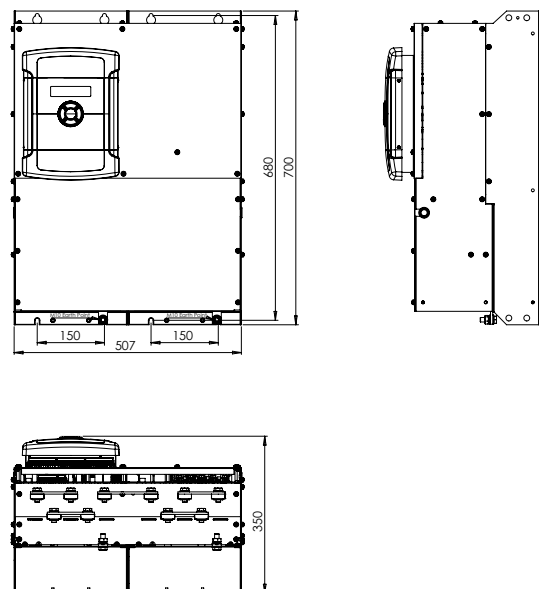
TTJL/X  
130 - 270



TTJL/X  
370 - 780



TTJL/X  
860 - 1680



# RATING TABLE FOR TTJL/X STANDARD VERSIONS

These models have a 150% overload capability for 25 seconds

## Nominal maximum continuous shaft ratings

Model		kW at 415 Volt AC	HP at 415 Volt AC	HP at 480 Volt AC	HP 600V AC MV model	HP 690V AC HV model	100% Output Current	Line reactor type	Cooling air flow and dissipation		Dimensions mm  W x H x D
TTJL 2 quadrant TTJLX 4 quadrant Suffix HV for 690 VAC									cfm	watts	
<b>Frame 2</b>	<b>Model</b>										
TTJL and TTJLX	130	75	100	115	-	-	130	LR330	365	380	216 x 410 x 218
TTJL and TTJLX	170	100	130	150	-	-	170	LR330	365	500	216 x 410 x 218
TTJL and TTJLX	220	130	170	200	-	-	220	LR330	365	650	216 x 410 x 218
TTJL and TTJLX	270	160	210	240	-	-	270	LR330	365	875	216 x 410 x 218
<b>Frame 4</b>											
TTJL and TTJLX	370	215	290	335	415	480	370	LR530	400	1200	253 x 700 x 350
TTJL and TTJLX	450	260	350	405	500	580	450	LR530	400	1450	253 x 700 x 350
TTJL and TTJLX	530	310	415	480	600	690	530	LR650	400	1700	253 x 700 x 350
TTJL and TTJLX	615	360	480	555	690	800	615	LR750	400	2000	253 x 700 x 350
TTJL and TTJLX	700	405	550	630	785	915	700	LR850	400	2300	253 x 700 x 350
TTJL and TTJLX	780	450	610	705	880	1015	780	LR950	400	2500	253 x 700 x 350
<b>Frame 5</b>											
TTJL and TTJLX	860	500	670	775	965	1115	860	LR1050	800	2700	507 x 700 x 350
TTJL and TTJLX	1025	595	800	925	1155	1330	1025	LR1250	800	3200	507 x 700 x 350
TTJL and TTJLX	1190	690	930	1075	1340	1550	1190	LR1450	800	3700	507 x 700 x 350
TTJL and TTJLX	1350	785	1055	1220	1505	1755	1350	LR1650	800	4200	507 x 700 x 350
TTJL and TTJLX	1520	880	1190	1375	1715	1980	1520	LR1850	800	4700	507 x 700 x 350
TTJL and TTJLX	1680	975	1310	1515	1890	2180	1680	LR2050	800	5200	507 x 700 x 350

# RATING TABLE FOR TTJL/XHD HIGH DUTY VERSIONS

These models have a 250% overload capability for 25 seconds

## Nominal maximum continuous shaft ratings

Model		kW at 415 Volt AC	HP at 415 Volt AC	HP at 480 Volt AC	HP 600V AC MV model	HP 690V AC HV model	100% Output Current	Line reactor type	Cooling air flow and dissipation		Dimensions mm  W x H x D
TTJLHD 2 quadrant TTJLXHD 4 quadrant Suffix HV for 690 VAC									cfm	watts	
<b>Frame 2</b>	<b>Model</b>										
TTJLHD & TTJLXHD	75	45	60	70	-	-	75	LR330	365	380	216 x 410 x 218
TTJLHD & TTJLXHD	100	60	80	90	-	-	100	LR330	365	500	216 x 410 x 218
TTJLHD & TTJLXHD	130	75	100	115	-	-	130	LR330	365	650	216 x 410 x 218
TTJLHD & TTJLXHD	160	95	125	145	-	-	160	LR330	365	875	216 x 410 x 218
<b>Frame 4</b>											
TTJLHD & TTJLXHD	220	130	170	200	250	280	220	LR530	400	1200	253 x 700 x 350
TTJLHD & TTJLXHD	270	160	210	240	300	350	270	LR530	400	1450	253 x 700 x 350
TTJLHD & TTJLXHD	320	190	250	290	360	415	320	LR650	400	1700	253 x 700 x 350
TTJLHD & TTJLXHD	370	215	290	335	420	480	370	LR750	400	2000	253 x 700 x 350
TTJLHD & TTJLXHD	420	245	330	380	475	550	420	LR850	400	2300	253 x 700 x 350
TTJLHD & TTJLXHD	470	270	370	430	535	615	470	LR950	400	2500	253 x 700 x 350
<b>Frame 5</b>											
TTJLHD & TTJLXHD	520	300	405	470	585	670	520	LR1050	800	2700	507 x 700 x 350
TTJLHD & TTJLXHD	615	360	480	555	690	800	615	LR1250	800	3200	507 x 700 x 350
TTJLHD & TTJLXHD	715	415	560	650	810	930	715	LR1450	800	3700	507 x 700 x 350
TTJLHD & TTJLXHD	815	475	640	740	925	1065	815	LR1650	800	4200	507 x 700 x 350
TTJLHD & TTJLXHD	910	530	710	820	1025	1180	910	LR1850	800	4700	507 x 700 x 350
TTJLHD & TTJLXHD	1010	585	790	915	1140	1310	1010	LR2050	800	5200	507 x 700 x 350

Find out more: [www.t-t-electric.com](http://www.t-t-electric.com)

**T-T Electric Ltd.**

22 rue du 8 mai 1945  
F-95340 PERSAN

**Tel:** +33 (0)1 30 28 62 01

**Fax:** +33 (0)1 30 28 62 22

**Email:** [info@t-t-electric.com](mailto:info@t-t-electric.com)



**T-T Electric**

