

Dynamometer Machine

HMP 250 : HIGH PERFORMANCE AT HIGH SPEED

High-speed three-phase squirrel cage induction motor

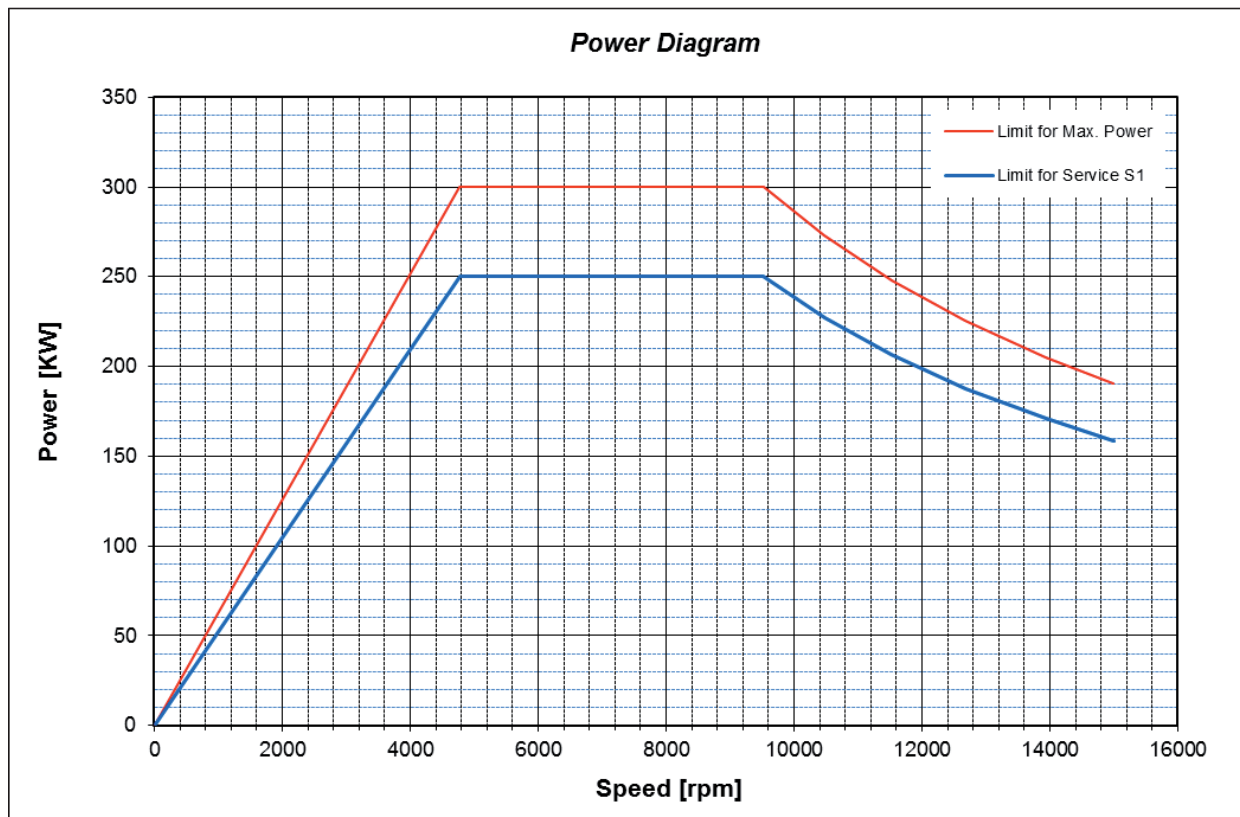
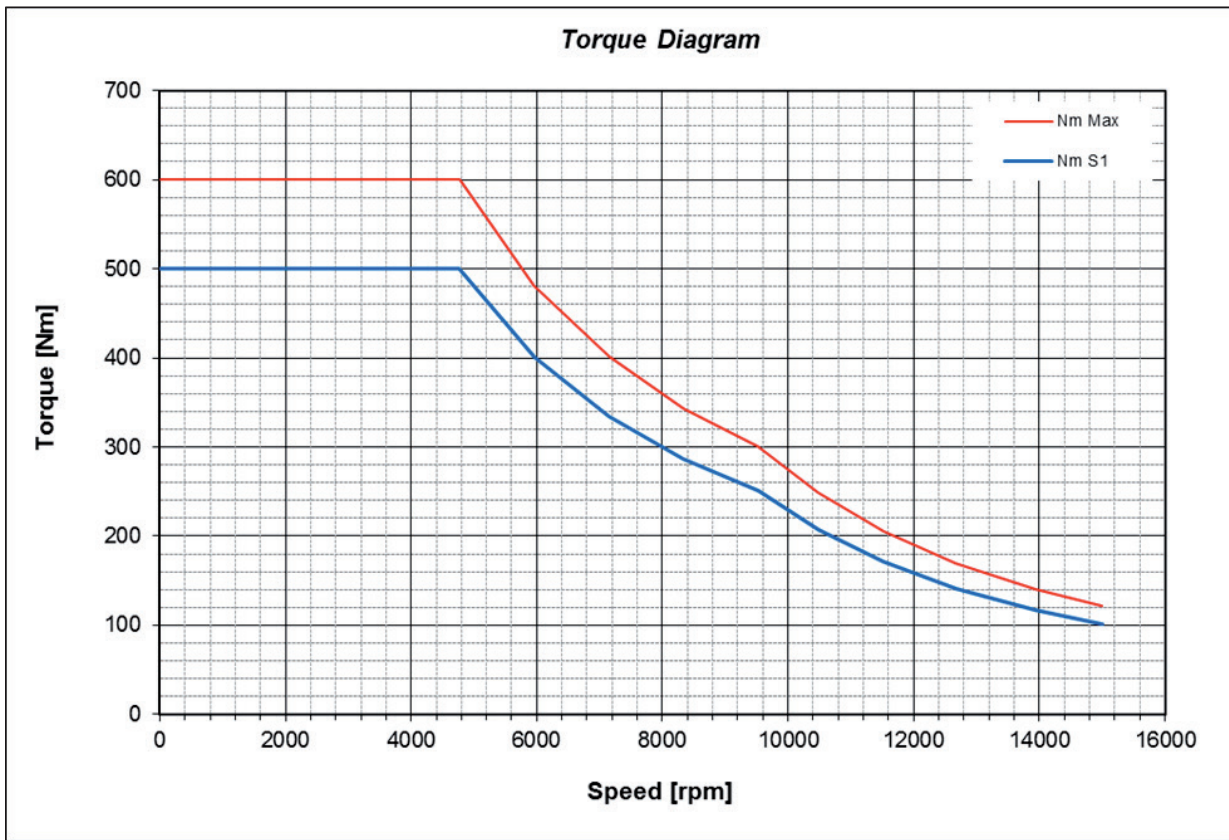
- Frame size 250
- Output 250 kW
- IEC Standards
- Degree of protection IP23
- Cooling form IC06
- Thermal class F
- Mounting B35 with flange F500

Top performance

- 250kW at 4766 rpm
- Top speed 15'000 rpm
- Anti-friction bearings
- Automatic regreasing device
- Low vibrations throughout full speed range
- Low rotor inertia

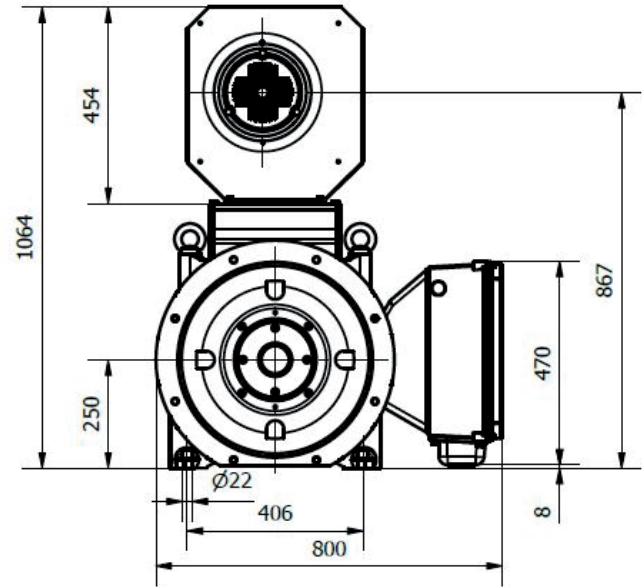
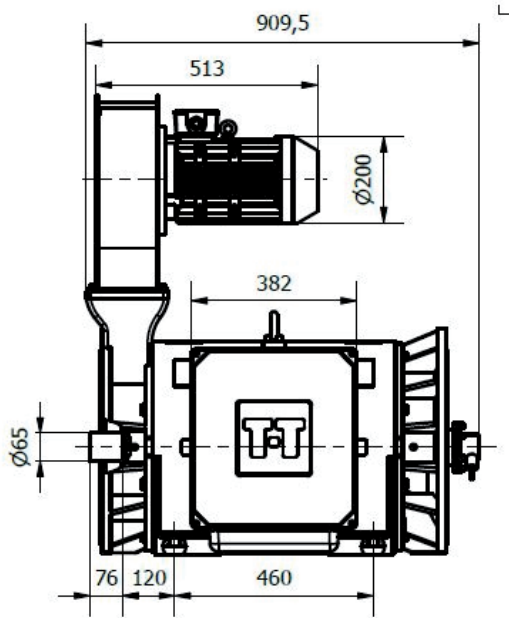


HMP 250



HMP 250

Dimension drawing



Founded over 100 years ago, T-T Electric is a world-class supplier of top-quality industrial electric motors and drives. Pioneers in the industry, we are an experienced and established manufacturer of a comprehensive and cost-effective range of highly reliable drive products. They are used around the world in the toughest of application environments and in all industrial segments.

Driven by customer demand, T-T Electric is continually researching product excellence and manufacturing

process perfection. The flexible product design ensures easy adaptations to customer requirements. This, combined with unequalled short delivery times, make T-T Electric a reference within industry. Our extensive support services include diagnostics and maintenance on site as well as full overhaul in our own repair facilities.

T-T Electric is committed to a working partnership with our customers. For mutual benefit, we focus on complete and innovative solutions together.



France

T-T Electric
22 rue du 8 mai 1945
F-95340 PERSAN

Tel: +33 (0) 1 30 28 62 01
Fax: +33 (0) 1 30 28 62 22
E-mail: info@t-telectric.com



UK

T-T Electric
Unit 7A Waterloo Park
Upper Brook Street
STOCKPORT SK1 3BP
Tel: +44 (0) 161 480 0037
Fax: +44 (0) 161 476 4390
E-mail: john.legg@t-telectric.com

Russian Federation

VIK-Industry
B. Nizhegorodskaya
600016 Vladimir
Tel: +7 (4922) 47 55 74
Fax: +7 (4922) 47 55 74
E-mail: info@vecgroup.com

USA

T-T Electric USA
PO Box 180074
Delafield, WI 53018
Phone # 262-244-0581
Fax # 888-761-1060
E-mail: info@ttelectricusa.com

Sweden

Thrige Electric / Regal
Lefflersgatan 1
S-75450 Uppsala
Tel: +46 (0) 18 657000
Fax: +46 (0) 18 107478
E-mail: info@regal.se

China

T-T Electric
RM 24-04 Jiafu Int'l Mansion
515 Ganjiang West Rd
SUZHOU P.R. CHINA
Tel: (+86512) 693 25210
Fax: (+86512) 693 25213
E-mail: jacson@metals-star.com